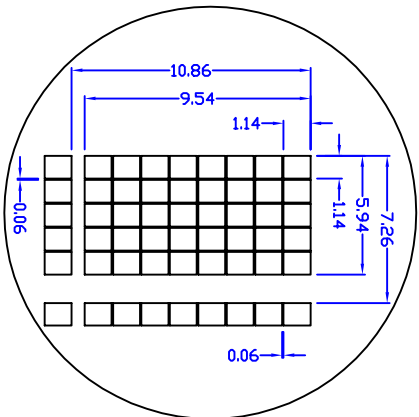
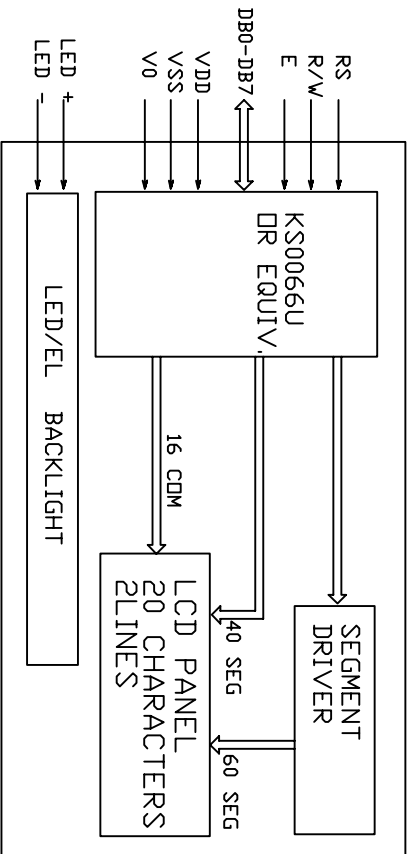


* FOR LED BACKLIGHT
 T1=14.5MAX T2=10.5±0.3
 * FOR EL DR ND BACKLIGHT
 T1=10.0MAX T2=5.0±0.3



PINS ASSIGNMENT	
NO.	SYMBOL DESCRIPTION
1	VSS POWER SUPPLY
2	VDD POWER SUPPLY
3	V0 OPERATING VOLTAGE FOR LCD
4	RS DATA/INSTRUCTION SELECT
5	R/W READ/WRITE CONTROL
6	E ENABLE SIGNAL
7-14	DB0--DB7 DATA BUS
15	LED + POWER SUPPLY FOR LED BACKLIGHT (+)
16	LED - POWER SUPPLY FOR LED BACKLIGHT (-)

ABSOLUTE MAXIMUM RATING			
ITEM	SYMBOL	MIN	MAX
POWER SUPPLY (LOGIC)	VDD-VSS	-0.3	7.0
POWER SUPPLY (LCD DRV)	VDD-V0	-0.3	13.5
INPUT VOLTAGE	VI	-0.3	VDD

ELECTRICAL CHARACTERISTICS (VDD=5.0±0.25V, 25°C)				
ITEM	SYMBOL	MIN	TYP	MAX
VOLTAGE FOR LOGIC	VDD-VSS	4.75	5.0	5.25
SUPPLY CURRENT	IDD	-	2.0	3.5
VOLTAGE FOR LCD	VDD-V0	-	4.6	-
INPUT VOLTAGE	VIH	-	2.2	VDD
	VIL	-0.3	-	0.6
OUTPUT VOLTAGE	VOL	-	2.4	-
	VOL	-	-	0.4

MECHANICAL SPECIFICATIONS		
ITEM	SPECIFICATION	UNIT
OVERALL SIZE	180.0W x 40.0H x 14.0T(10.0T)	MM
VIEWING AREA	149.0W x 23.0H	MM
CHARACTERS	20 CHARACTERS x 2 LINES	
CHARACTER SIZE	5.94W x 9.54H	MM
CHARACTER PITCH	7.26W x 10.86H	MM

OPTIONS	
1. LCD TYPE:	Y/G STN, GRAY STN, TN
2. BACKLIGHT:	WITHOUT BACKLIGHT, LED, EL
3. COLOR OF BACKLIGHT:	Y/G, BLUE, WHITE
4. TEMPERATURE RANGE:	NDRMA(0--50C) EXTENDED(-20--70C)
5. POWER SUPPLY:	5.0V, 3.0V
6. VIEWING ANGLE:	6H, 12H
7. CHARACTER TABLE:	JAPANESE, EUROPEAN, CYRILLIC

REVISIONS		
NO.	DATE	BY
1	02/11/12	ACh

DESCRIPTION
 NEW RELEASE

NT-C2023A

20 CHARACTERS X 2 LINES



ALL DIMENSIONS ARE IN MM. TOLERANCE IS +/0.2 UNLESS OTHERWISE NOTED.

NELY, YOUR SUPPLIER, AND YOUR PARTNER!